
HIGH AND LOW SPEED RADIAL PISTON MOTORS G SERIES TECHNICAL CATALOGUE

G 20-27-34

G 50-75-90-100

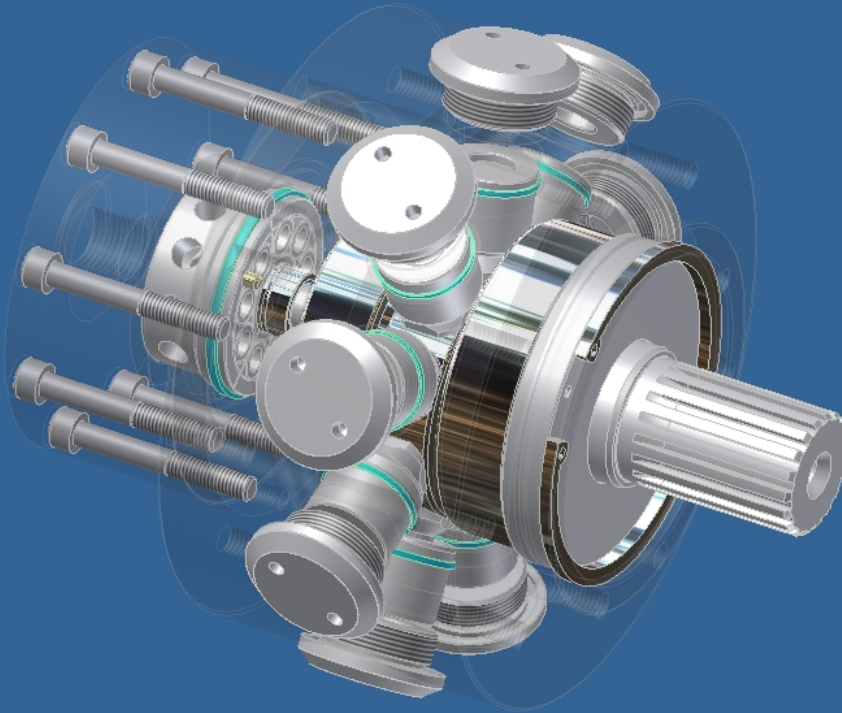
INDEX

GENERAL INFORMATION - - - - -	Pag. 2
MOTOR TECHNICAL DATA - - - - -	" 3
FREEWHEELING OPERATION - - - - -	" 4
– STANDARD SERIES – SIZE & SHAFT –	
G 20-27-34 - - - - -	" 5
G 50-75-90-100 - - - - -	" 6
TACHOMETER - - - - -	" 7
SPLINED BILLET - - - - -	" 7
ORDERING INSTRUCTIONS - - - - -	" 8
– PERFORMANCES –	
G 20-27 - - - - -	" 9
G 34-50 - - - - -	" 10
G 75-90 - - - - -	" 11
G 100 - - - - -	" 12

GENERAL INFORMATION

INTERMOT produces RADIAL PISTON HYDRAULIC MOTORS since 1985: our yearly production is more than 13.000 units which we sell all over the world through our agents and authorized sellers. Our motor range varies from 20cc to 8500cc displacement and it is completed by two-speed motors and special motors created in cooperation with our clients for different applications such as : underwater, high & low speed and wheel motors and with the possibility to assemble valves, brakes or gear reductions. You can directly contact our Technical Department which will give you all the necessary support to find the right solutions to your problems.

INTERMOT is a flexible work reality and manages deliveries also within the same day of order; we produce motors exactly interchangeable with our competitors, always ready on stock which our clients particularly appreciate.



TECHNICAL DATA

G

MODEL		G 20	G 27	G 34	G 50	G 75	G 90	G 100
Displacement	cc/rev	20,5	27,3	34,2	50,9	76,3	89	102
Specific Torque	Nm/bar	0,32	0,43	0,54	0,81	1,21	1,41	1.61
Max cont. Pressure	bar	250	250	250	250	250	250	250
Max int. Pressure	bar	280	280	280	280	280	280	280
Peak pressure	bar	350	350	350	350	350	350	350
Max continuous speed	rpm	2400	2400	2400	2300	2100	1900	1850
Peak speed	rpm	2500	2500	2500	2400	2300	2200	2200
Minimum speed	rpm	40	35	30	25	20	15	10
Dry weight	kg	19	19	19	25	25	25	25
Max power	HP	17	24	28	42	59	71	82
	kW	12	17	21	31	44	52	60

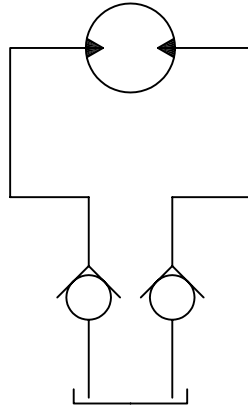
- N° of pistons: 9
- Max case pressure: 6 bar
- Max back pressure: 70 bar
- Max freewheeling speed: 2000 Rpm (*)
- Temperature range: -30°C ÷ +70°C

When the motor continuously works at high power values, motor flushing is needed (see performance diagrams). The recommended flushing flow is 3 l/min (G20, G27, G34), and 5 l/min (G50, G75, G90, G100).

(*) For the hydraulic circuit, please refer to page 4 (freewheeling operation).

For further information please contact Intermot technical department.

FREEWHEELING OPERATION



This is the most suitable circuit for high speed freewheeling. The motor operates under vacuum conditions, therefore it can work several hours without causing any damage and overheating.

The switch from normal to freewheeling operation (and viceversa) must be done at low speed and pressure.

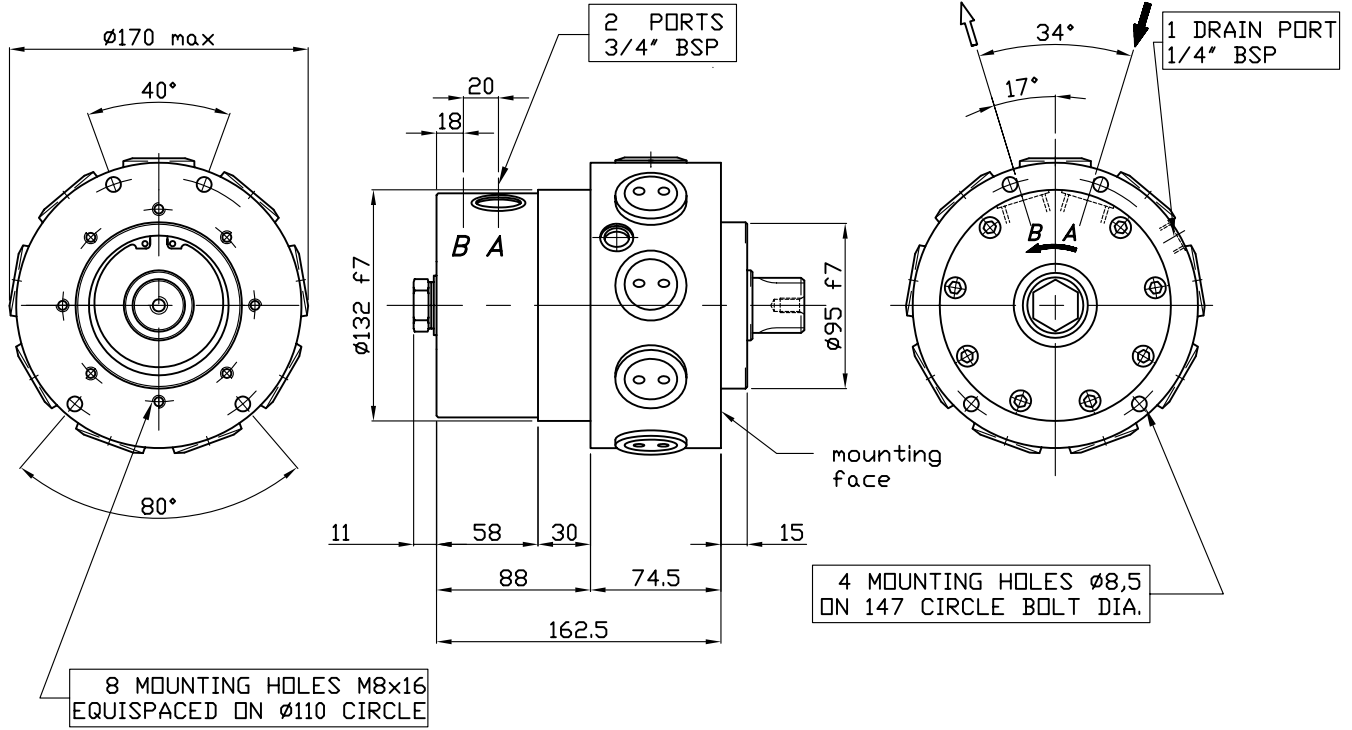
For further informations please contact Intermot technical department.

For further information contact Intermot technical department.

SIZE

G 20-27-34

STANDARD SERIES



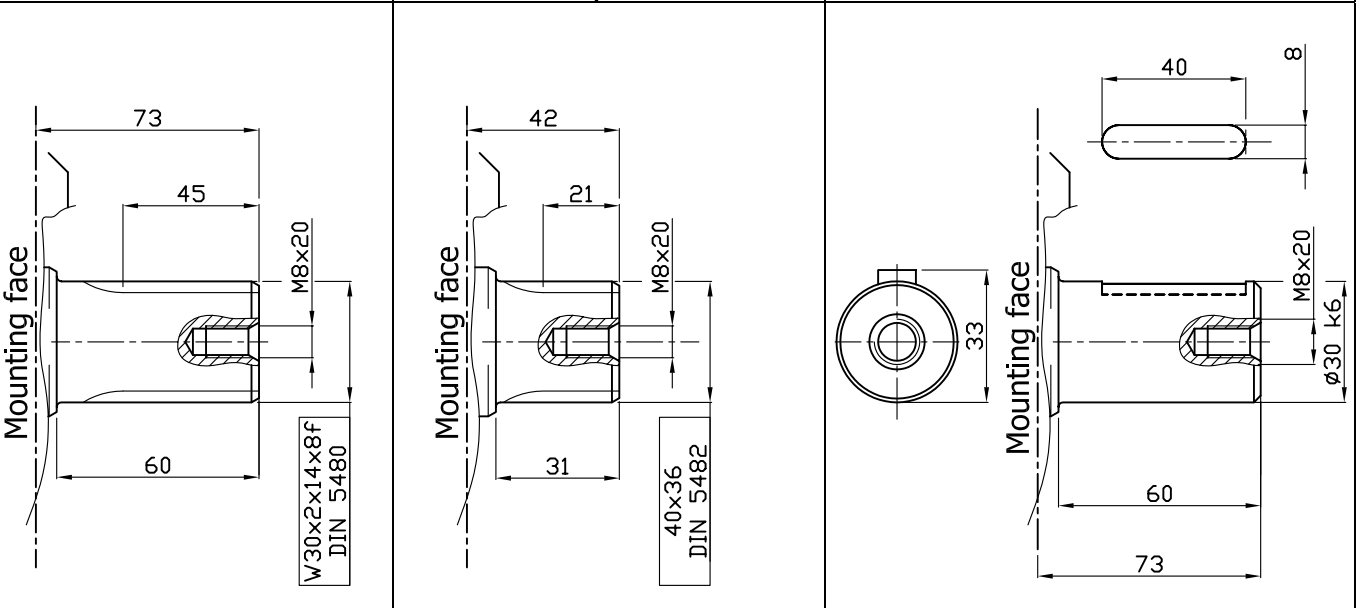
SHAFT

G 20-27-34

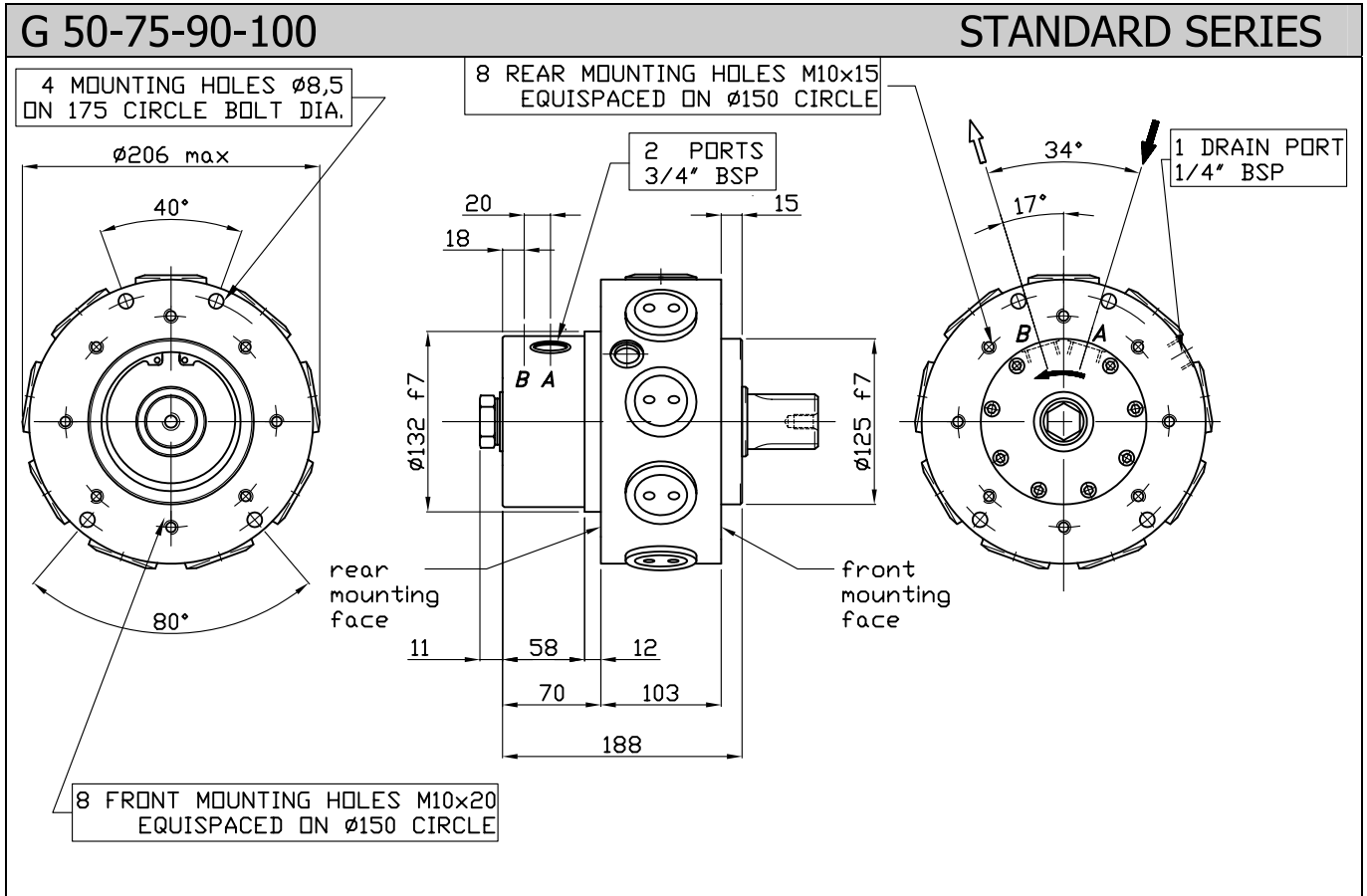
A0: Standard Splined Shaft

A1: Splined Shaft on request

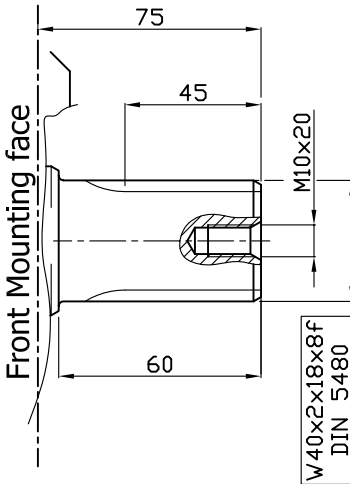
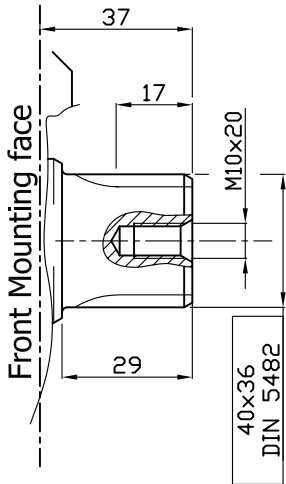
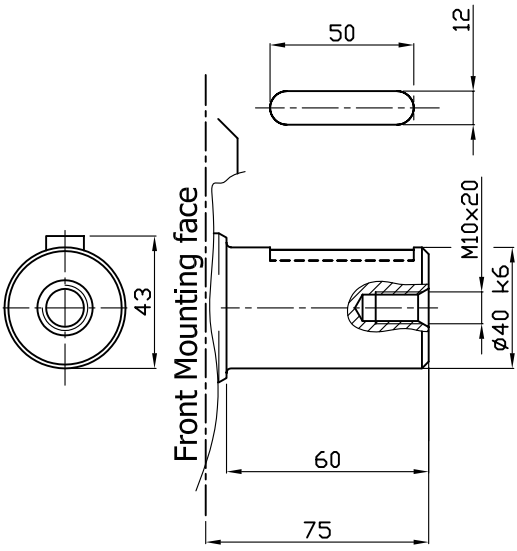
A2: Parallel shaft on request



SIZE

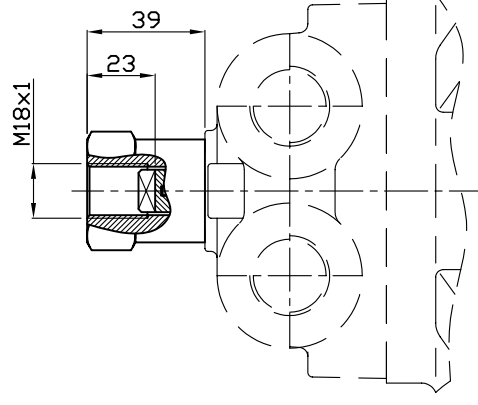


SHAFT

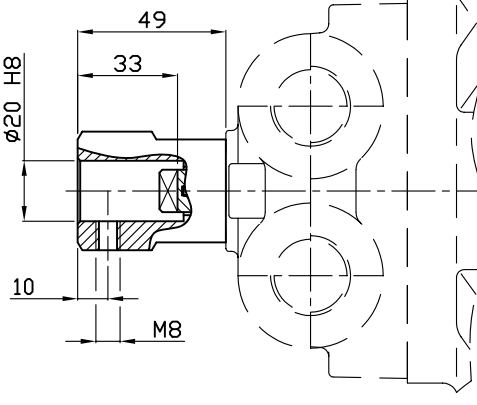
G 50-75-90-100		
A0: Standard Splined Shaft	A1: Splined Shaft on request	A2: Parallel shaft on request
		

TACHOMETER

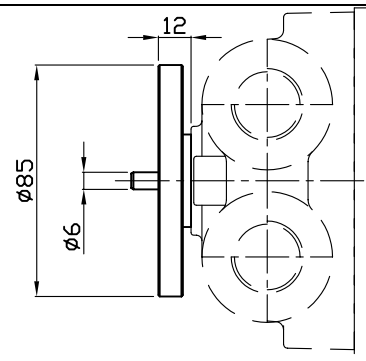
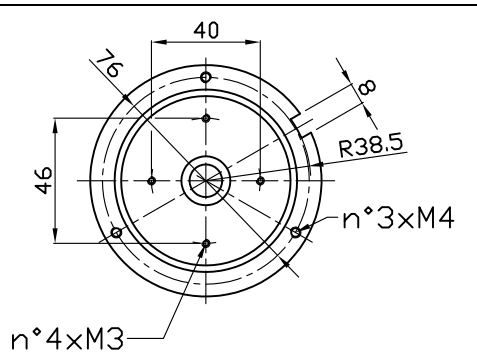
TA



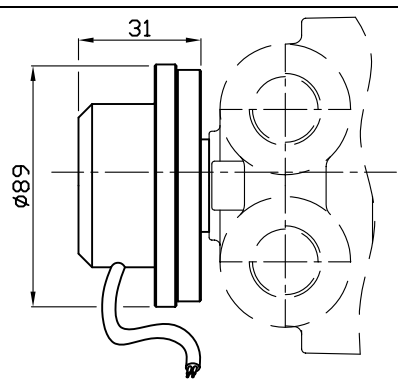
TB



EST

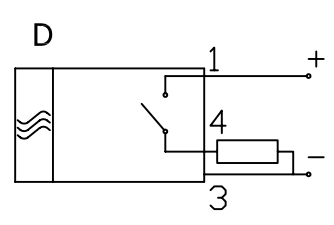
EST.30



Operating parameters	E-..../3
Power supply (VDC)	10-30
Switching current (mA)	150
Frequency (Hz) 100rpm	50
Impulse/rpm	30
Operating temp. (°C)	-24/+70
Protection degree	IP67
Output	NPN
Motor type	All types

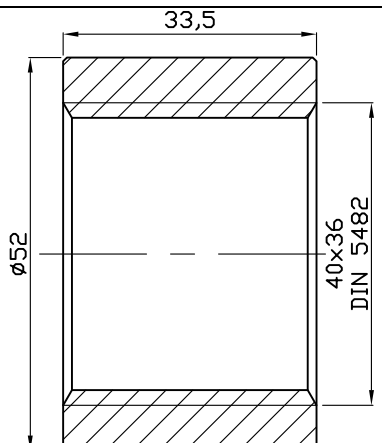
MODEL	Ø5
Torque	1 Nm

Model	Output	Fig.
E-..../.AP/....	PNP	D



SPLINE BILLET

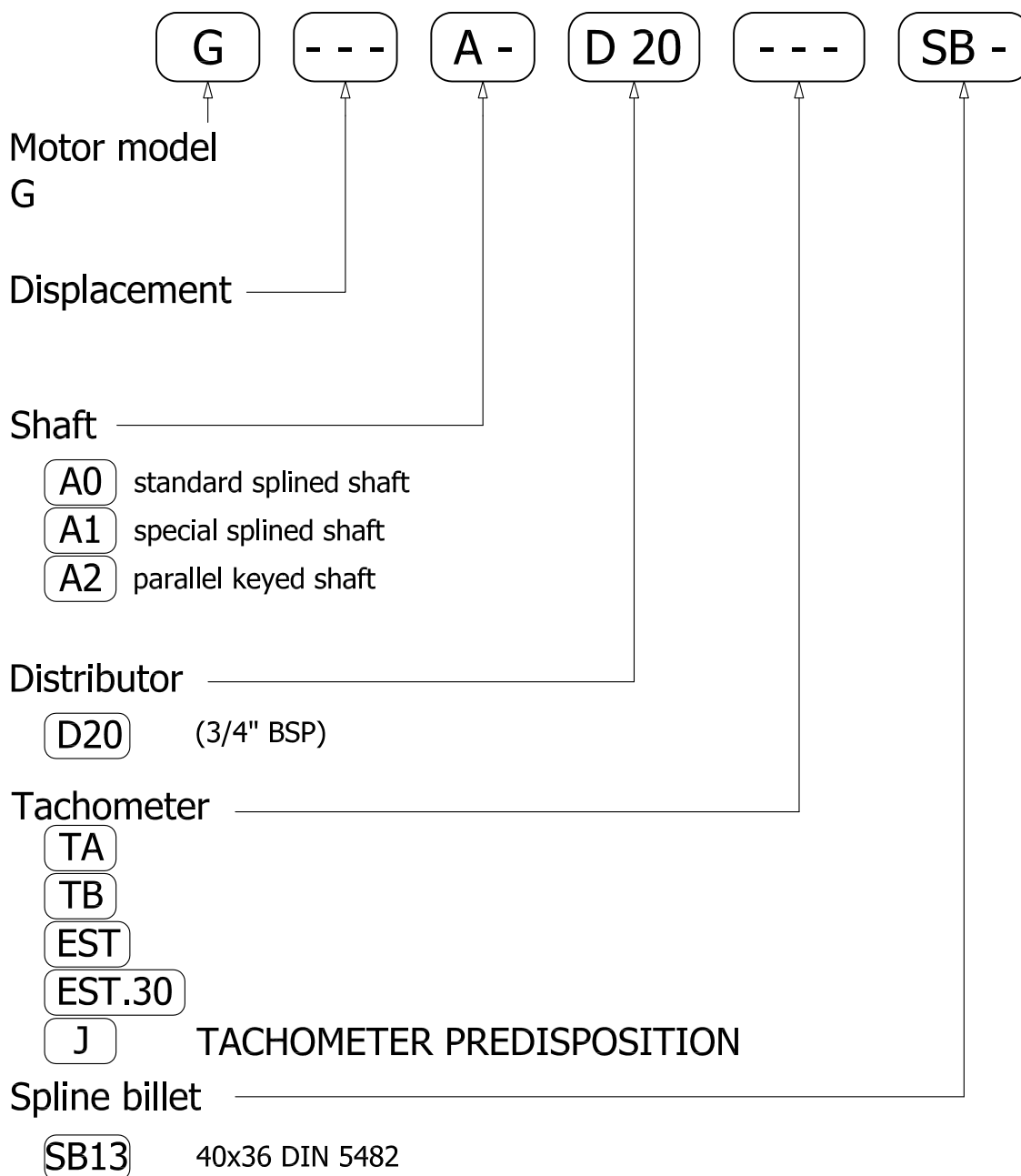
SB13



only for:
G20-27-34-50-75-90-100 A1

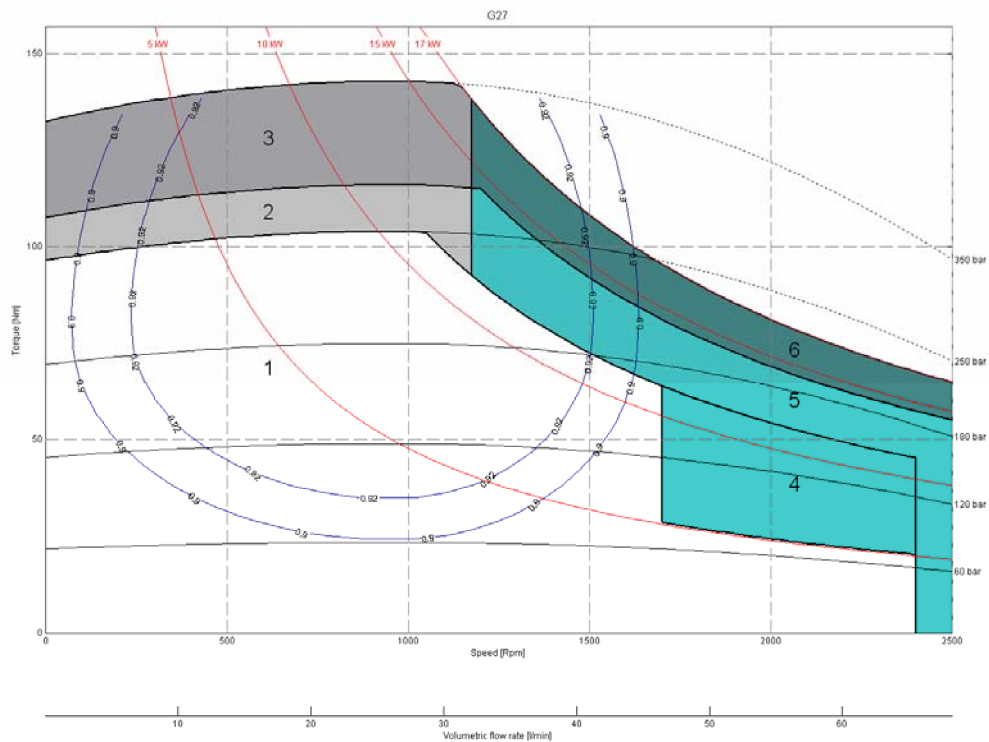
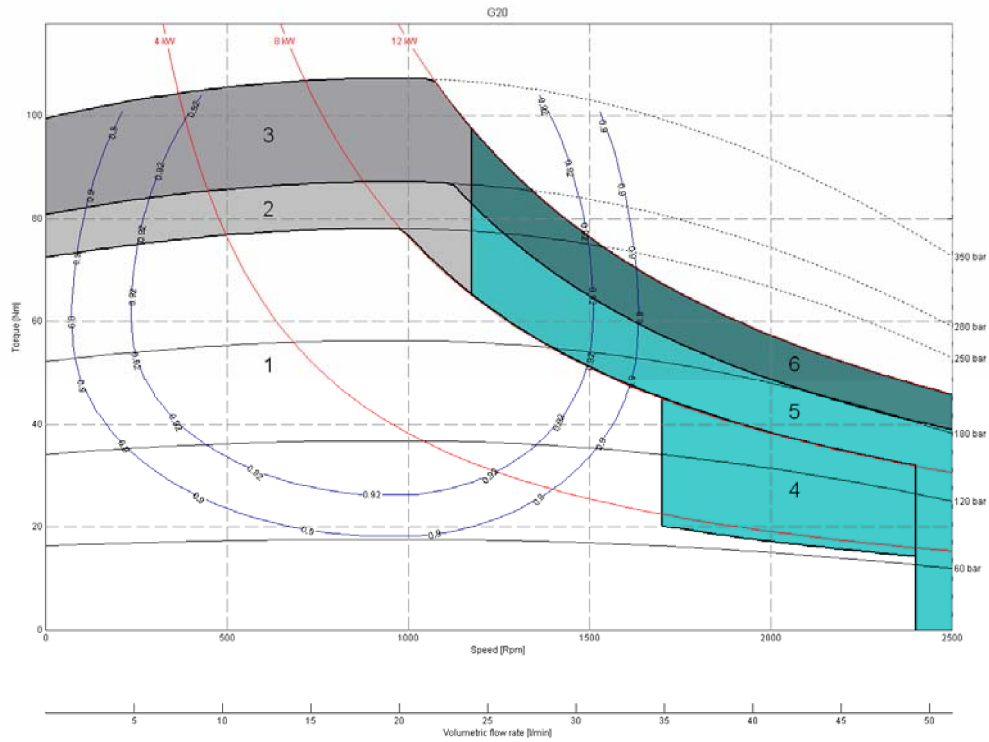
ORDERING INSTRUCTIONS

G



EXAMPLE: G.34.A1.D20.SB13
 G.100.A0.D20.TA

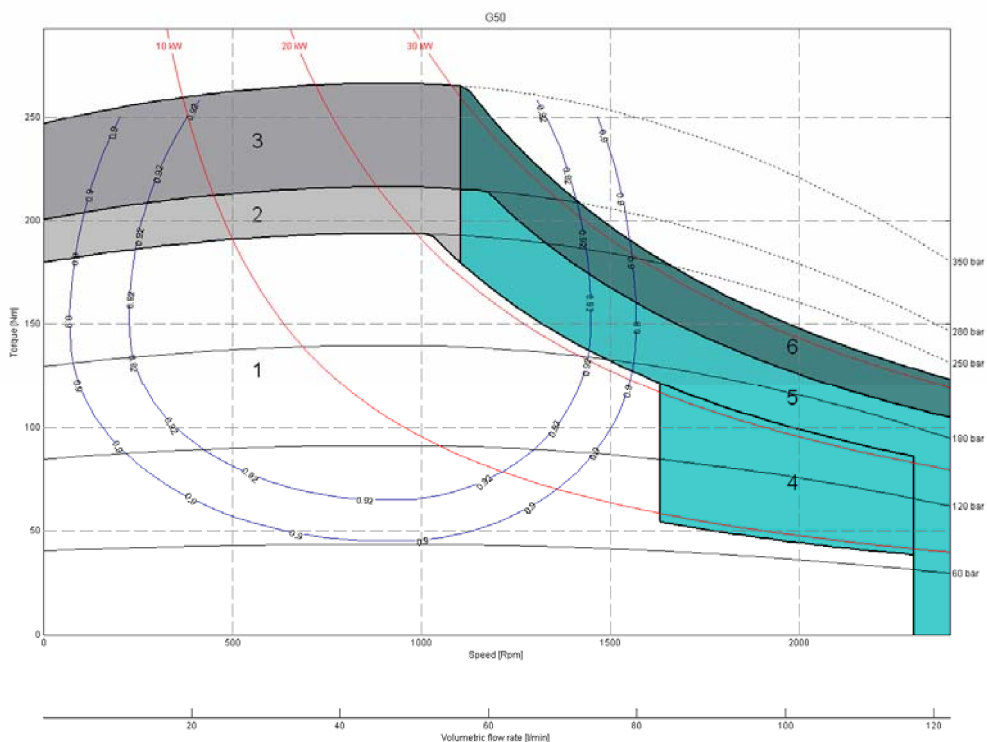
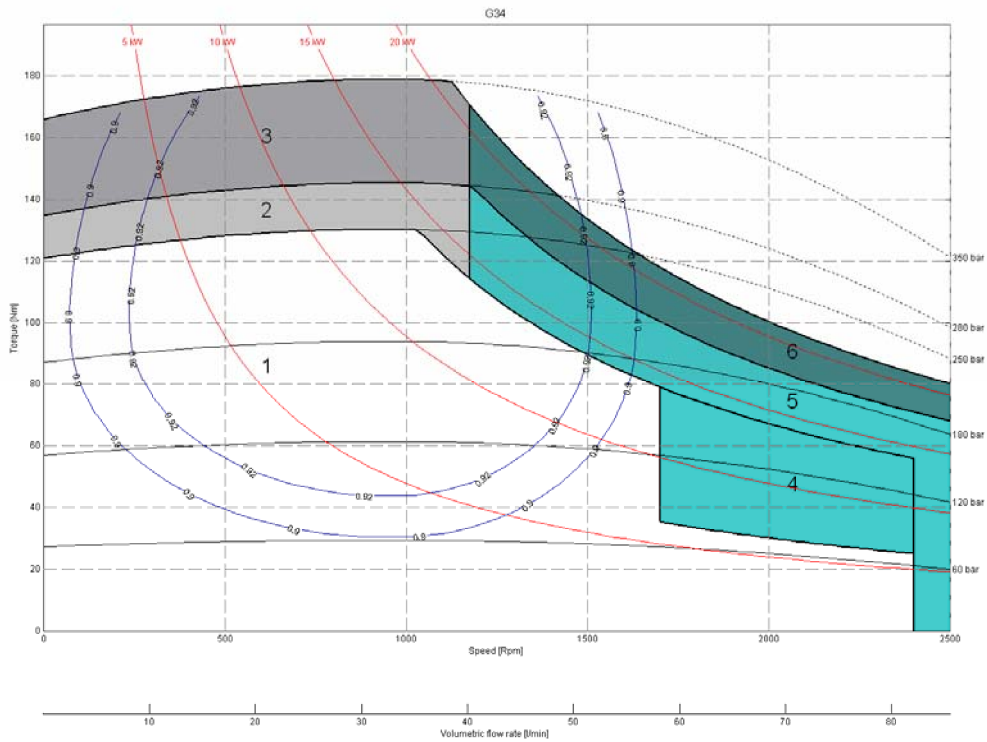
PERFORMANCES



1	Continuous operation
2	Intermittent operation for period 3-5 minute every 10-15 minute
3	Intermittent operation for very short period (3-5 seconds every 10-15 minutes)

4	Continuous operation with flushing
5	Intermittent operation for period 3-5 minute every 10-15 minute with flushing
6	Intermittent operation for very short period (3-5 seconds every 10-15 minutes) with flushing

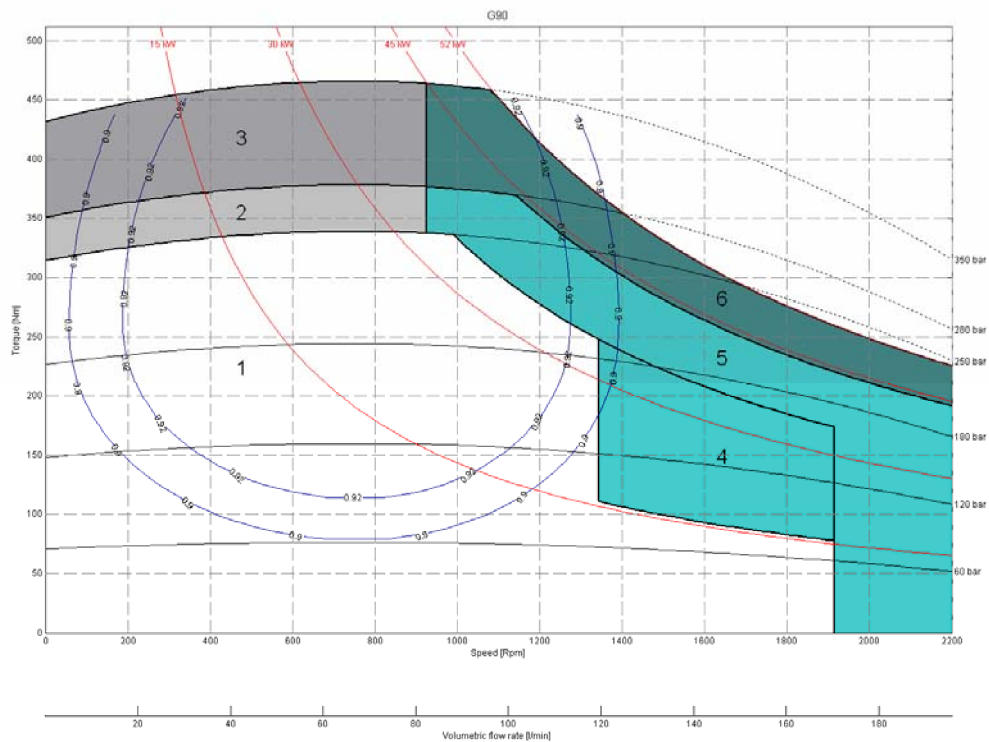
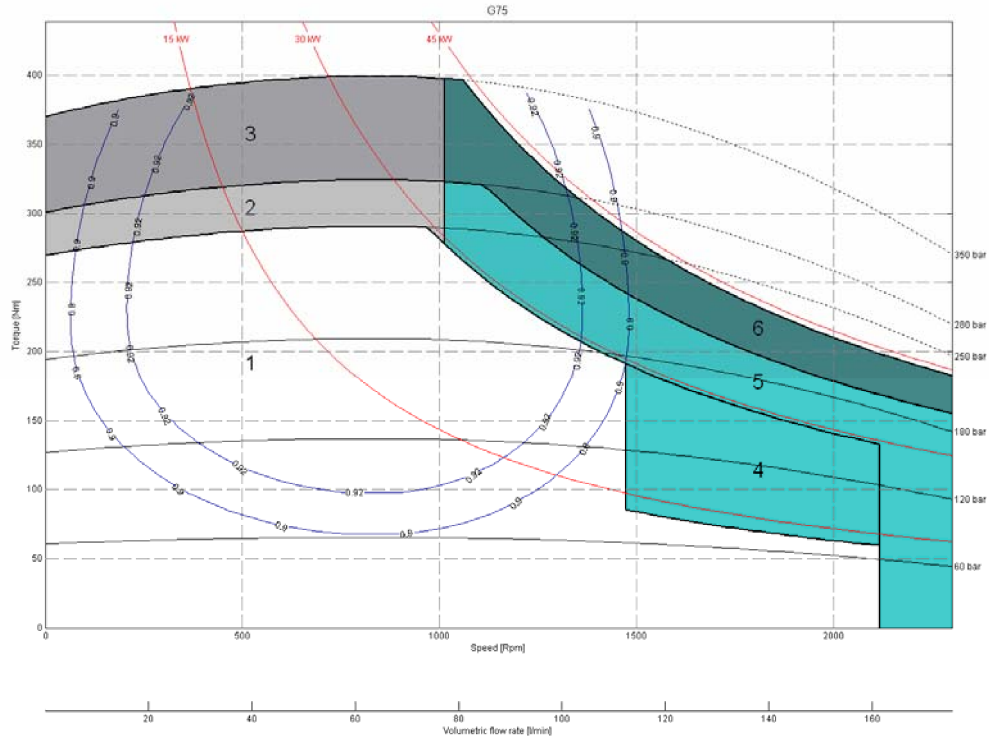
The specified data are for product description purpose only and must not be interpreted as warranted characteristic in legal sense
For more details please contact our Technical Department.



1	Continuous operation
2	Intermittent operation for period 3-5 minute every 10-15 minute
3	Intermittent operation for very short period (3-5 seconds every 10-15 minutes)

4	Continuous operation with flushing
5	Intermittent operation for period 3-5 minute every 10-15 minute with flushing
6	Intermittent operation for very short period (3-5 seconds every 10-15 minutes) with flushing

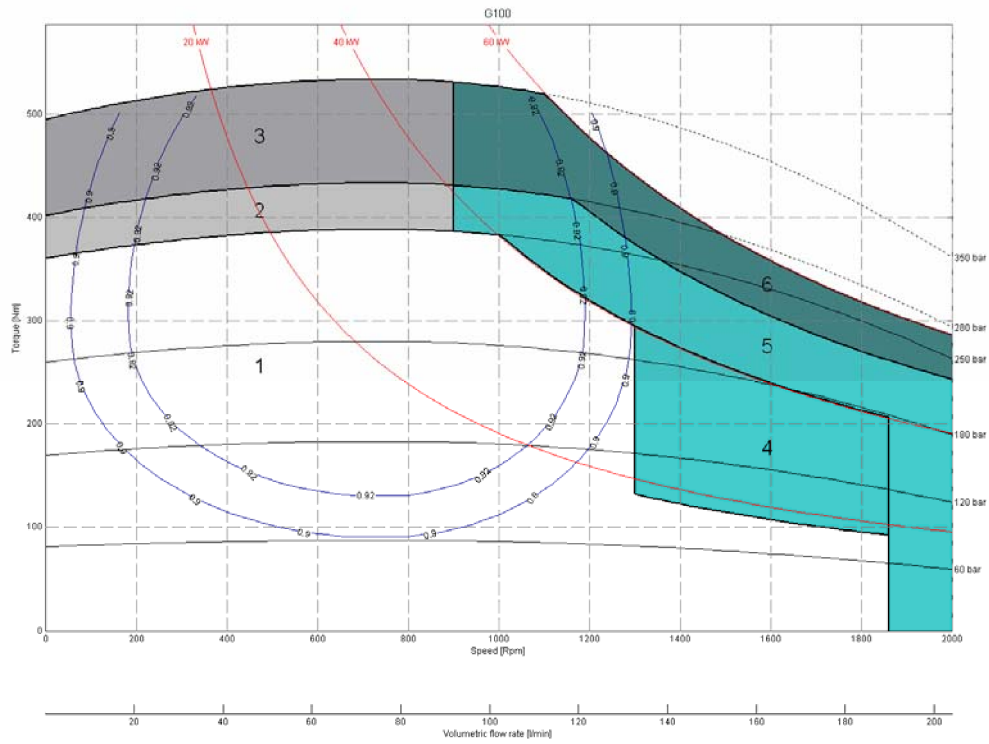
The specified data are for product description purpose only and must not be interpreted as warranted characteristic in legal sense
For more details please contact our Technical Department.



1	Continuous operation
2	Intermittent operation for period 3-5 minute every 10-15 minute
3	Intermittent operation for very short period (3-5 seconds every 10-15 minutes)

4	Continuous operation with flushing
5	Intermittent operation for period 3-5 minute every 10-15 minute with flushing
6	Intermittent operation for very short period (3-5 seconds every 10-15 minutes) with flushing

The specified data are for product description purpose only and must not be interpreted as warranted characteristic in legal sense
For more details please contact our Technical Department.



1	Continuous operation
2	Intermittent operation for period 3-5 minute every 10-15 minute
3	Intermittent operation for very short period (3-5 seconds every 10-15 minutes)

4	Continuous operation with flushing
5	Intermittent operation for period 3-5 minute every 10-15 minute with flushing
6	Intermittent operation for very short period (3-5 seconds every 10-15 minutes) with flushing

The specified data are for product description purpose only and must not be interpreted as warranted characteristic in legal sense
For more details please contact our Technical Department.